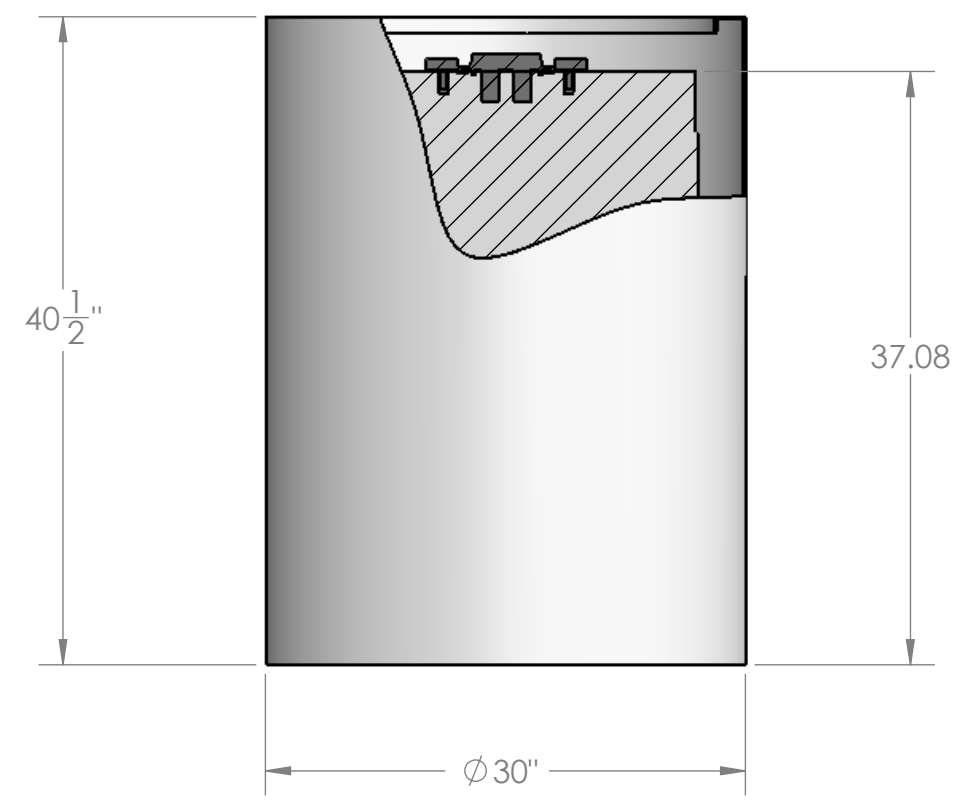
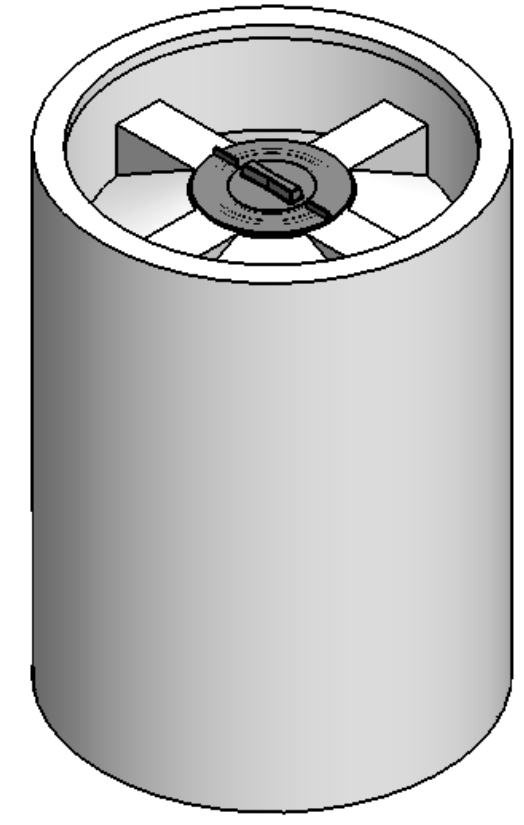
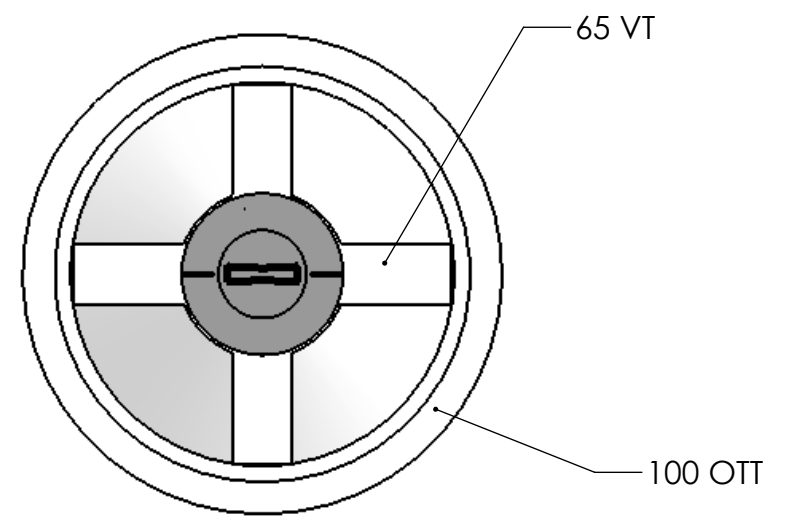


8 7 6 5 4 3 2 1

D
C
B
A

D
C
B
A



NOTES:

- 1. MATERIAL: HDPE
- 2. PRIMARY TANK: STD. = 2.0 S.G. 20 LBS
- 3. CONTAINMENT: STD. = 2.0 S.G. 30 LBS
- 4. SHIPPING WEIGHT: 50 LBS.

PROPRIETARY AND CONFIDENTIAL
 THE INFORMATION CONTAINED IN THIS DRAWING IS THE SOLE PROPERTY OF <INSERT COMPANY NAME HERE>. ANY REPRODUCTION IN PART OR AS A WHOLE WITHOUT THE WRITTEN PERMISSION OF <INSERT COMPANY NAME HERE> IS PROHIBITED.

		UNLESS OTHERWISE SPECIFIED:		NAME	DATE	CUSTOM ROTO-MOLDING, INC.			
		DIMENSIONS ARE IN INCHES		DRAWN	EBW	10-22-10	TITLE: 65 VT - 100 OTT		
		TOLERANCES:		CHECKED					
		FRACTIONAL ±		ENG APPR.					
		ANGULAR: MACH ± BEND ±		MFG APPR.					
		TWO PLACE DECIMAL ±		Q.A.			SIZE	DWG. NO.	REV
		THREE PLACE DECIMAL ±		COMMENTS:			B	65 VTWC	
NEXT ASSY	USED ON	FINISH				SCALE: 1:12		WEIGHT:	SHEET 1 OF 1
APPLICATION		DO NOT SCALE DRAWING							

8 7 6 5 4 3 2 1